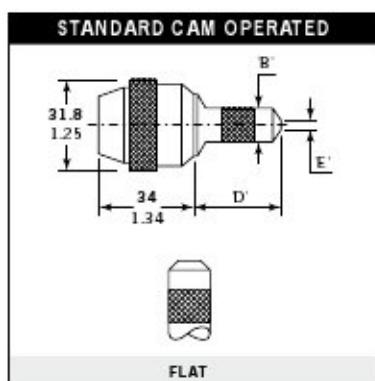
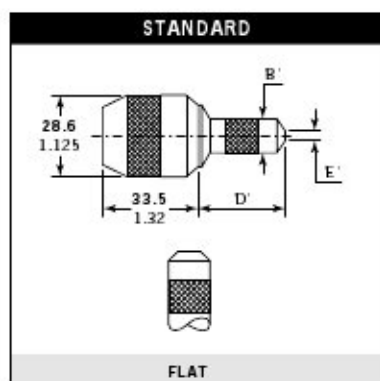


# Avsert® Nose Equipment

Ensembles de nez / Mundstücke / Equipaggiamento / Equipos de colocación



Applications with no or little access restrictions.  
Pour applications ne présentant que peu ou pas de contraintes d'accès.

Für alle gut zugänglichen Nietpunkte.

Adatta per applicazioni senza restrizioni di accesso o con restrizioni di accesso limitate.

Apta para aquellas aplicaciones sin ninguna o pocas restricciones de acceso.

Nose equipment with addition of a twist cam to ease and speed up the nose jaw opening thus the pod reloading procedure.

Ensembles de nez avec, en plus, une came facilitant et accélérant l'ouverture du nez de pose, et donc le rechargement en fixations.

Zum leichteren Magazinieren haben diese Mundstücke durch einen Drehring zu öffnende Mundstückschäbel.

Equipaggiamento con l'aggiunta di una camma per facilitare e rendere più veloce l'apertura della testata e pertanto la procedura di ricarica dell'astuccio portarivetti.

Boquillas que incorporan una leva para facilitar y hacer más rápida la apertura de la boquilla y el procedimiento de carga.

Ø nom.	Fastener / Rivets / Niettyp / Rivetti / Remaches	Nose Equipment / Nez de pose / Mundstück / Testata / Boquilla /	Part No/ref	Dimensions / Dimension / Abmessungen / Dimensioni / Dimensiones		
				B	D	E
M2.5 x 0.45	Avsert®	Standard	07150-03003	9.14	33.02	4.06
M3 x 0.5		Standard	07150-03004	10.41	29.97	5.08
		Standard cam operated	07170-04600			

all dimensions in mm / en millimètres / alle Maße in mm / in millimetri / en milímetro



An Acument™ Global Technologies Company

www.avdel-global.com

Avsert® is a trademark of Avdel UK Limited

Avdel - Partner seit 1986



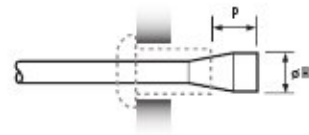
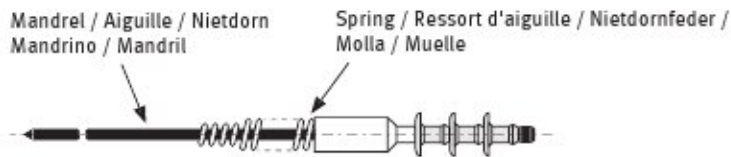
© 2007 Acument Intellectual Properties, LLC


05.2009

Data shown is subject to change without prior notice as a result of continuous product development and improvement policy. Your local Avdel representative is at your disposal should you need to confirm latest information.

# Avsert® Mandrel & Spring Information

Aiguilles et Ressorts d'aiguille / Nietdorne und -federn  
Mandrini e Molle / Mandriles y Muelles



$\phi$		Description Description Beschreibung Descrizione Descripción	$\phi H$	P	Standard Nose Equipment Nez de pose Standard Standard-Mundstück Testata Standard Boquilla Estándard	
					Mandrel Part No/ref	Spring Part No/ref
M2.5 x 0.45	as rec.	Standard green	1.84	3.68	07150-06003	07150-06803
M3 x 0.5	as rec.	Standard green	2.24	4.70	07150-06004	07150-06804

all dimensions in mm / en millimètres / alle Maße in mm / in millimetri / en milímetro



An Acument™ Global Technologies Company

[www.avdel-global.com](http://www.avdel-global.com)

Avsert® is a trademark of Avdel UK Limited

Avdel - Partner seit 1986



© 2007 Acument Intellectual Properties, LLC

05.2007

Data shown is subject to change without prior notice as a result of continuous product development and improvement policy.  
Your local Avdel representative is at your disposal should you need to confirm latest information.